

Reed switch Fuel Level Sensor Installation Instructions



Tech Support: 1-800-265-1818 | www.usa.vdo.com

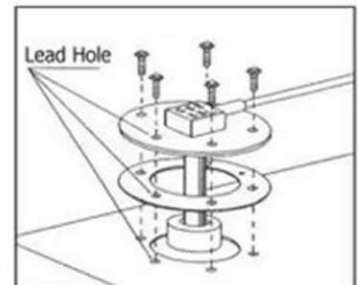
Step 1:

Slide the gasket over the tube and align the hole pattern in the mounting flange with the hole pattern in the gasket.



Step 2:

Install the level sensor (with the aligned gasket) by inserting the sensor tube into the tank and place the gasket bottom face on the tank surface ensuring the holes of mounting flange, gasket and tank are aligned as shown in the picture.



Step 3:

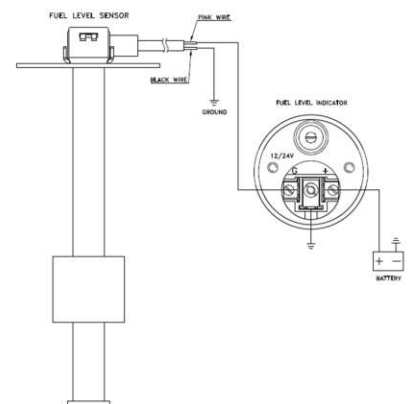
Secure the level sensor to the tank by tightening the 10-32 UNF mounting screws into place using a screw driver having controlled torque of 2 Nm. Do not over-tighten, this will weaken the seal. Excessive torque can cause the gasket to be over-compressed, dramatically reducing the service life of the gasket. This could result in failure (leakage), while in service.



Step 4:

Once the level sensor is installed, it needs to be connected to a gauge. The below wiring instructions should be followed.

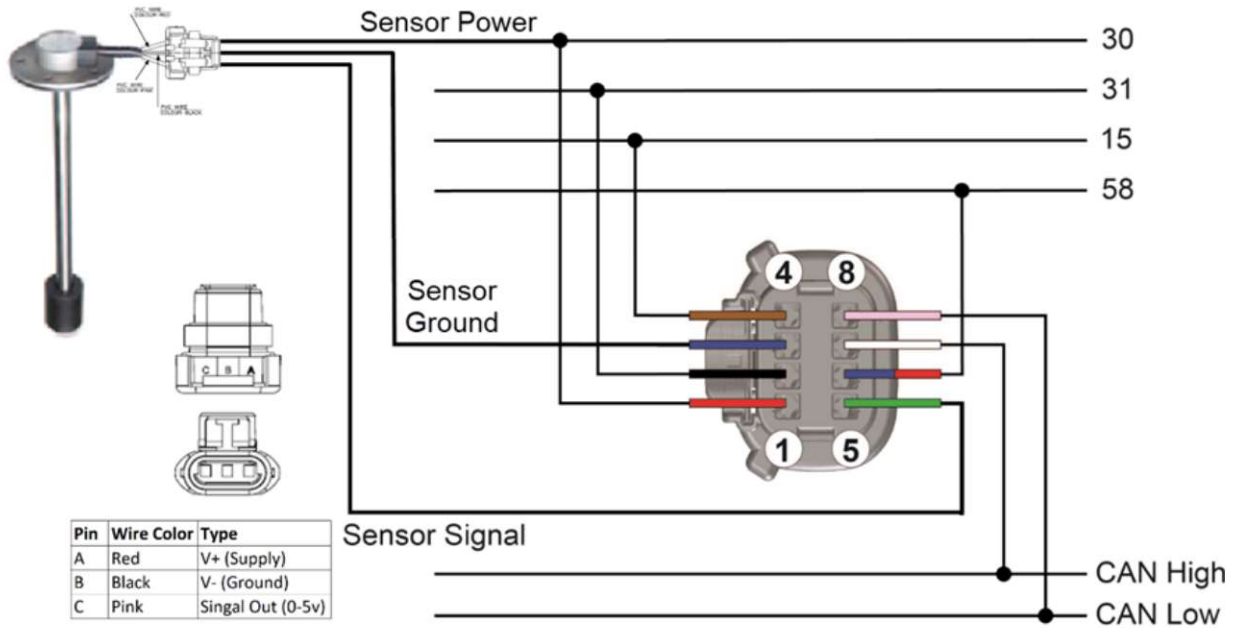
- Connect ground (black wire terminal) from the sensor to a common grounding.
- Connect signal (pink wire terminal) from the sensor to gauge signal terminal.
- The above details shown in pictorial presentation:



Reed switch Fuel Level Sensor Installation Instructions

Tech Support: 1-800-265-1818 | www.usa.vdo.com

If installing 0-5v Fuel Reed Sender with SingleViu Gauge see wiring instruction below.



So, after completing the above steps, the installation of sensor is complete.

Now, the sensor is ready to sense the fuel level and give resistive output to gauge which will display the fuel level.